

Spec. No.	INR21700-50E	Version No.	Tentative
-----------	--------------	-------------	-----------

Specification of Product

Tentative

1. Customer : WPG China Inc
2. Product : Lithium-ion Rechargeable Cell
3. SDI Model : INR21700-50E
4. Approved by

Division			
Signature			
Date	/ /	/ /	/ /

5. Date of Application (YY/MM/DD) : 2018/ 05 / 06

6. Supplier : **SAMSUNG SDI Co., Ltd.**
Battery Business Division

Issued	Checked	Approved

Spec. No.	INR21700-50E	Version No.	Tentative
-----------	--------------	-------------	-----------

1. Scope

This product specification has been prepared to specify the rechargeable lithium-ion cell ('cell') to be supplied to the customer by Samsung SDI Co., Ltd.

2. Description and Model

2.1 Description	Cell (lithium-ion rechargeable cell)
2.2 Model	INR21700-50E
2.3 Site	Manufactured in Korea

3. Nominal Specifications (*1)

Item	Specification
3.1 Standard discharge Capacity	Min 4,900mAh - Charge : 0.5C(2,450mA), 4.2V, 0.02C(98mA) cutoff @ RT - Discharge : 0.2C(980mA), 2.5V cutoff @ RT * 1C = 4,900mA
3.2 Rated discharge Capacity	Min 4,753mAh - Charge : 0.5C(2,450mA), 4.2V, 0.02C(98mA) cutoff @ RT - Discharge : 1C(4,900mA), 2.5V cutoff @ RT
3.3 Charging Voltage	4.2V
3.4 Nominal Voltage	3.6V
3.5 Charging Method	CC-CV (constant voltage with limited current)
3.6 Charging Current	Standard charge: 2,450mA
3.7 Charging Time	Standard charge: 3hours
3.8 Max. Charge Current	4,900mA (not for cycle life)
3.9 Max. Discharge Current	9,800mA (for continuous discharge) 14,700mA (not for continuous discharge)
3.10 Discharge Cut-off Voltage	2.5V
3.11 Cycle life	Capacity \geq 3,802mAh @ after 500cycles (80% of the Rated Discharge Capacity @ RT) - Charge : 0.5C(2,450mA), 4.2V, CCCV 0.05C(245mA) cut-off @ RT - Discharge : 1C(4,900mA), 2.5V cut-off @ RT
3.13 Recovery characteristics	Capacity recovery (after the storage) \geq 4,278mAh (90% of the Rated Discharge Capacity @ RT) - Charge : 0.5C(2,450mA), 4.2V, 0.02C(98mA) cutoff @ RT - Storage : 30 days @ 60°C - Discharge : 1.0C(4,900mA) 2.50V cut-off @ RT
3.14 Cell Weight	69g max
3.15 Cell Dimension	Cell height : Max.70.80mm Diameter : Φ Max.20.25mm

Spec. No.	INR21700-50E	Version No.	Tentative
-----------	--------------	-------------	-----------

3.16 Operating Temperature(* ²) (Cell Surface Temperature)	Charge : 0 to 45°C Discharge : -20 to 60°C
3.17 Storage Temperature (* ³)	1 year : -20~23°C 3 months : -20~45°C 1 month : -20~60°C

Note (*¹): Protection function of the battery pack should be set within the specified charge, discharge and temperature range in the Cell Specification.

Note (*²): Discharge OTP(over temp. protection) should not be over 60°C of the cell surface temperature. Protection set should be based on the location of the cell surface with the highest temp increase part of the battery pack

Note (*³): If the cell is kept as ex-factory status (30% of charge), the capacity recovery rate is more than 80%.

LION
Wholesale

Spec. No.	INR21700-50E	Version No.	Tentative
-----------	--------------	-------------	-----------

4. Outline Dimensions

See the Fig. 1

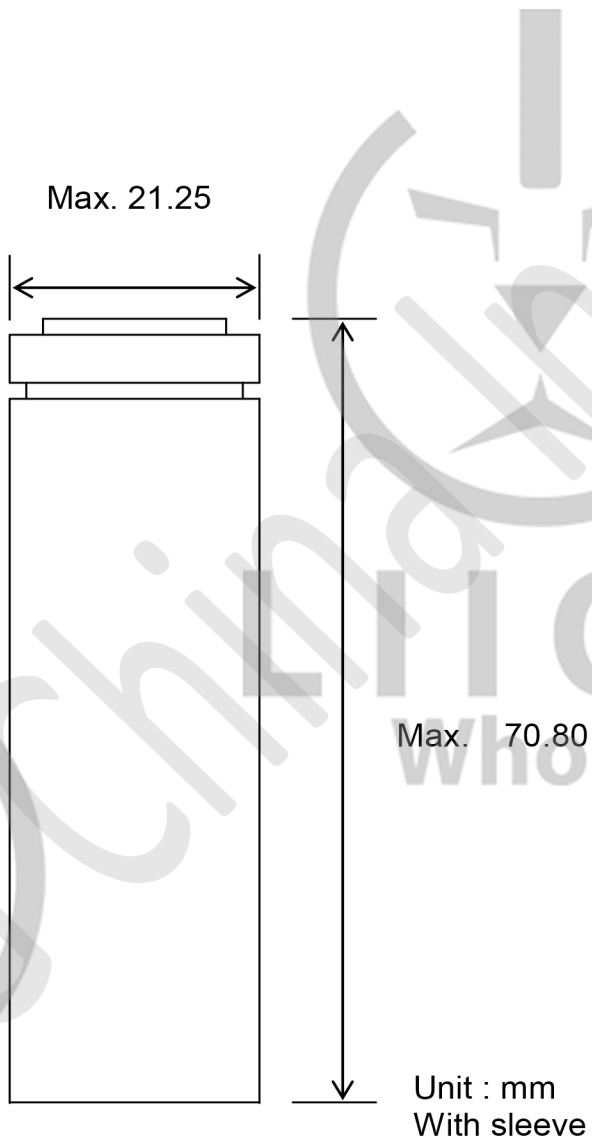


Fig. 1 Outline Dimensions of INR21700-50E